

BF100

BF100 is an outdoor-mountable DC battery cabinet featuring an intelligent air-cooled cooling design. It offers flexible single cabinet capacity of 71/86/100kWh, reserved DC side expansion interface. Additionally, it is equipped with a wall-mounted hybrid inverter to facilitate AC output. This cabinet is ideal for office parks, commercial buildings, charging stations, and other small industrial and commercial applications.



Flexible Expansion

Single cabinet capacity of 71/86/100kWh optional, reserve DC side expansion interface



Safe & Reliable

Three-stage detection + active exhaust + passive explosion-proof design to eliminate hidden hazards and ensure safe operation.



IP55+C3/C5

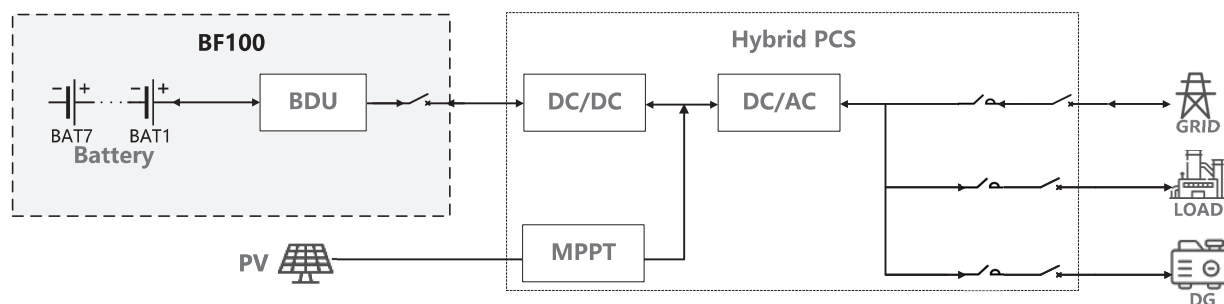
Resistance up to C3/C5 corrosion level, Handles harsh environments such as high humidity and salt spray corrosion with ease.



Simple O&M

Modular design, side outlet mode, easy to install, and easy to maintain.

Diagram



Specification

| Model | BF100-C70 | | BF100-C80 | BF100-C100 |
|-----------------------|--------------------------------------|----------------|----------------|------------|
| Battery | | | | |
| Battery Type | LiFePO ₄ | | | |
| Battery Capacity | 280Ah | | | |
| Rated Current | 140A | | | |
| Max. Current | 160A | | | |
| PACK Configuration | 1P16S | | | |
| PACK Quantity | 5 PACK/Cluster | 6 PACK/Cluster | 7 PACK/Cluster | |
| Voltage Range | 232~288Vdc | 278.4~345.6Vdc | 324.8~403.2Vdc | |
| Nominal Capacity | 71kWh | 86kWh | 100kWh | |
| System | | | | |
| Weight | 1100±100kg | 1200±100kg | 1300±100kg | |
| Dimension (W/D/H) | 725/1224/2258mm | | | |
| Max. Efficiency | ≥94% (TBD) | | | |
| Air Conditioner Power | 2kW (Cooling), 1kW (Heating) | | | |
| Temperature | -20~50°C (Derating above 45°C) | | | |
| Humidity | 0~95%RH (Non-condensing) | | | |
| Ingress Protection | IP55 | | | |
| Anti-corrosion Grade | C3/C5 | | | |
| Cooling Method | Air-cooling | | | |
| Noise | ≤65dB (TBD) | | | |
| Display | Touch screen | | | |
| Elevation | 3000m (Derating above 2000m) | | | |
| Fire Protection | Aerosol (Optional Perfluorohexanone) | | | |
| Communication | Ethernet/4G/RS485 | | | |
| Certification | CE | | | |

