

DC SURGE PROTECTOR

Surge Protection Device T2 Series



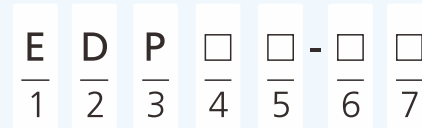
Product Application

EDP series surge protective devices have reliable voltage protection level, super surge discharge capacity and safety overload capacity, which are used for lightning protection of photovoltaic power generation system. The product is equipped with high-energy mov chip, so when the system has overvoltage due to lightning stroke or other reasons, it can introduce the voltage into the earth with nanosecond response speed, so as to protect the equipment.

Product Benefits

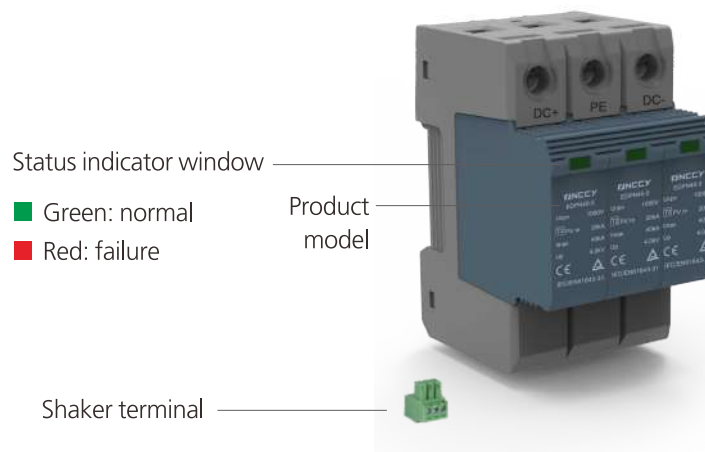
- Location of Use: String box, Inverter
- Mode of Protection: (DC+) - PE, (DC-) - PE, (DC+) - (DC-)
- Surge Ratings: $I_n=20kA(8/20\mu s)$
 $I_{Total} = \text{up to } 40kA(8/20\mu s)$
- IEC/EN/UL Category: Class I+II / Type 2
- Protective Elements: High Energy MOV
- Housing: Pluggable Design
- Compliance: IEC 61643-31 EN 50539-11+ A1

Select Code



Code	Name	Description
1	ONCCY brand	E
2	D	DC
3	Product Code	P: Surge Protector
4	Voltage	G:600V S:800V N:1000V F:1200V T:1500V
5	Imax	40:40kA
6	Pole	2:2P 3:3P
7	Remote signal	R: with RC Nil: with out RC

Appearance Introduction



Surge Protection Device

Technical Data



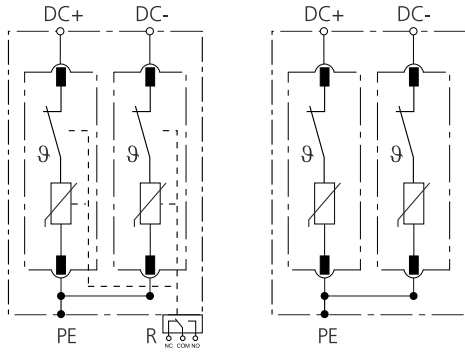
Product model	EDPG40-2 (R)	EDPS40-2(R)	EDPN40-3 (R)	EDPF40-3 (R)	EDPT40-3 (R)	
IEC Electrical						
Maximum Continuous Operating DC Voltage (DC+) - PE, (DC-) - PE (DC+) - (DC-)	U_{CPV}	600V	800V	1000V	1200V	1500V
	U_{CPV}	-	-	1000V	1200V	1500V
Nominal Discharge Current (8/20 μ s)	I_n	20kA				
Total Discharge Current (8/20 μ s)	I_{Total}	40kA				
Maximum Discharge Current (8/20 μ s)	I_{max}	40kA				
Voltage Protection Level (DC+) - PE, (DC-) - PE (DC+) - (DC-)	U_p	2200V	2800V	4000V	4000V	5200V
	U_p	-	-	4000V	4000V	5200V
Response Time	t_A	≤ 25 ns				
Short-Circuit Current Rating	I_{SCP}	1000A				
Number of Ports		1				
Mechanical & Environmental						
Operating Temperature Range	T_a	-40°C to +80°C				
Permissible Operating Humidity	RH	5%...95%				
Atmospheric pressure and altitude		80k Pa ... 106k Pa / -500m ... 2000m				
Terminal Screw Torque	M_{max}	39.9 lbf-in [2.0~2.5 N·m]				
Conductor Cross Section (max)		2 AWG (Solid, Stranded) / 4 AWG (Flexible) 35 mm ² (Solid, Stranded) / 25 mm ² (Flexible)				
Mounting		35 mm DIN Rail, EN 60715				
Degree Of Protection		IP20 (built-in)				
Housing Material		Thermoplastic, Red, Degree UL 94 V-0				
Thermal Protection		Yes				
Operating State / Fault Indication		Green: ok / Red: failure				
Remote Contacts (RC)		Optional				
RC Switching Capacity		DC:250V / 0.1A;125V / 0.2A;75V / 0.5A				
RC Conductor Cross Section (max)		16 AWG (Solid) / 1.5 mm ² (Solid)				

DC SURGE PROTECTOR

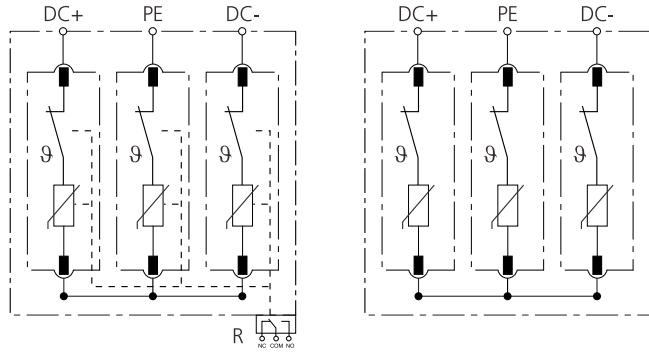
Surge Protection Device



Schematic Diagram



EDPG40-2 (R), EDPS40-2(R)



EDPN40-3 (R), EDPF40-3 (R), EDPT40-3 (R)

Drawing size

