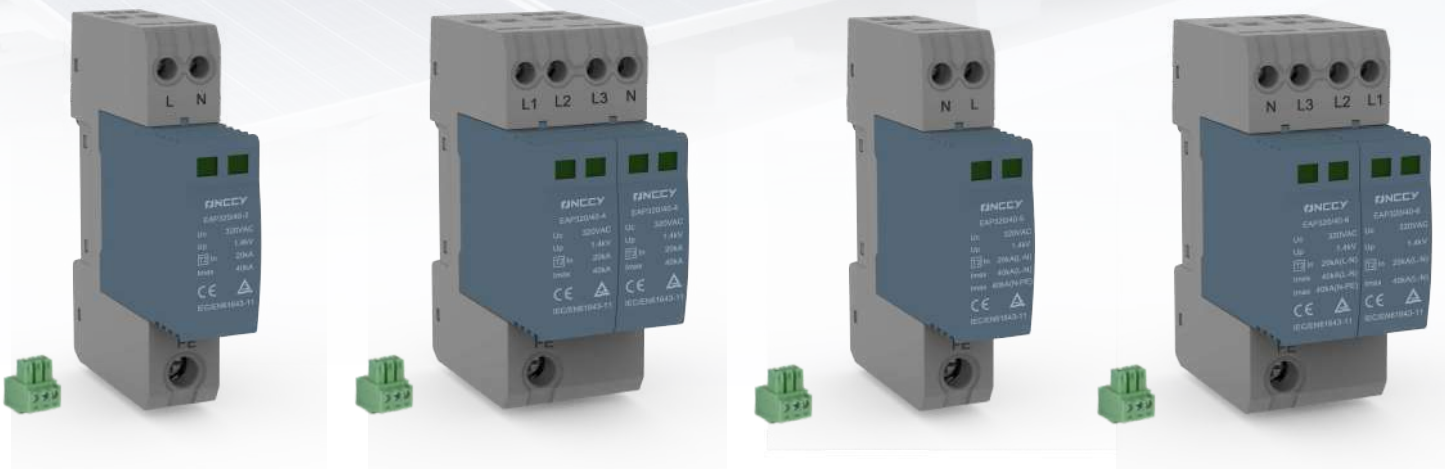


AC Surge Protection Device



Imax:40kA
EAP Series AC SPD T2

AC Surge Protection Device

EAP SERIES AC SPD T2 I_{max}:40kA



Product Application

EAP Series Surge Protection Device was designed and manufactured, complying standard GB/T18802.1 /EN 61643-11 , Rated voltage 275V~, 320V~, 385V~, Maximum discharge current 40kA,High Energy Varistor, high effective for lightning protection.

Product Benefits

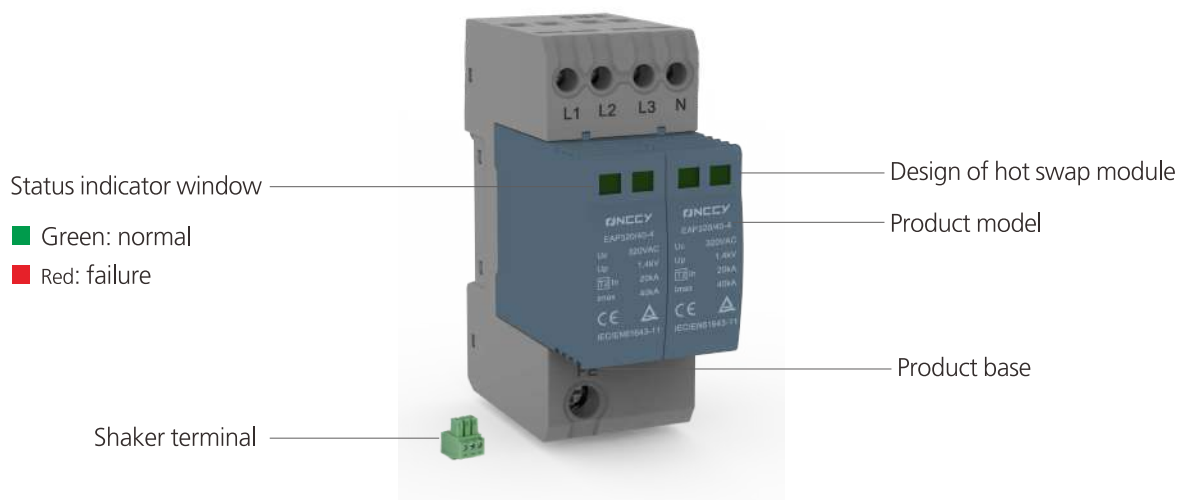
- Prewired Modular Complete Unit, Consisting of A Base Part and Plug-in Protection Modules.
- Plug-in Protection Module, Easily Installation and Maintenance.
- High Energy Varistor, Response Time Less Than 25 Nanosecond
- Optional Remote Signalling Contact(FM) for Monitoring Device (Floating Changeover Contact)

Select Code

E	A	P	320	/	□	-	□	□	C
1	2	3	4		5	6	7	8	

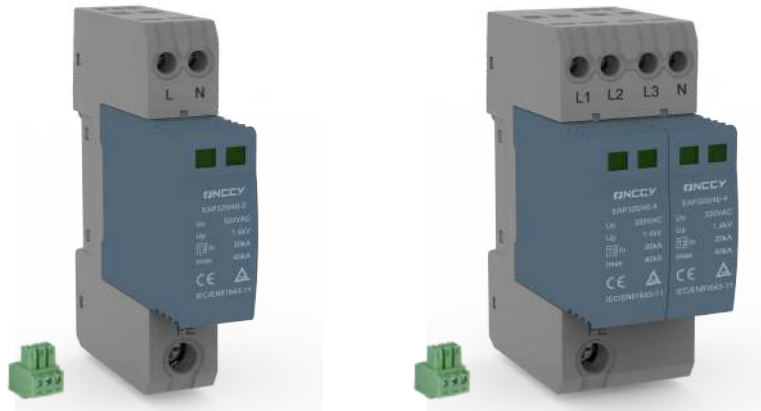
Code	Name	Description
1	brand	E
2	AC	A
3	Product Code	P: Surge Protector
4	Voltage	275:275V 320:320V 385:385V 420:420V
5	I _{max}	40:40kA
6	Pole	2:2P 4:4P 5:1+NPE 6:3+NPE
7	Remote signal	R: with RC Nil: with out RC
8	Model	C:Compact

Appearance Introduction



EAP SERIES AC SPD T2 I_{max}:40kA

Technical Data



IEC Electrical

Nominal AC Voltage (50/60Hz)	U_o/U_n	230V			
Maximum Continuous Operating Voltage (AC)	U_c	275V	320V	385V	420V
Nominal Discharge Current (8/20 μ s)	I_n	20kA	20kA	20kA	20kA
Maximum Discharge Current (8/20 μ s)	I_{max}	40kA	40kA	40kA	40kA
Voltage Protection Level	U_p	1400V	1400V	1800V	2000V
Response Time	t_A	< 25ns			
Back-Up Fuse (max)		125A gL / gG			
Short-Circuit Current Rating (AC)	I_{SCCR}	25kA			
TOV Withstand 5s	U_T	335V	335V	403V	560V
	U_T	440V	440V	529V	750V
TOV 120min	Mode	Safe Fail	Safe Fail	Safe Fail	Safe Fail
Number of Ports		1			

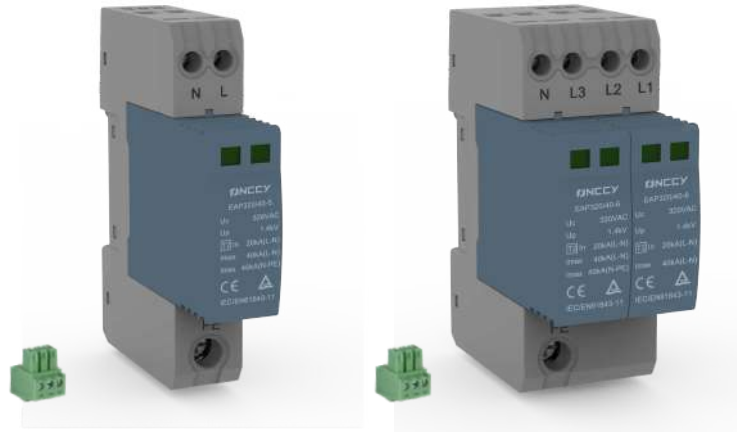
Mechanical & Environmental

Operating Temperature Range	T_a	-40°F to +185°F [-40°C to +85°C]			
Permissible Operating Humidity	RH	5%...95%			
Atmospheric pressure and altitude		80k Pa ... 106k Pa / -500m ... 2000m			
Terminal Screw Torque	(L,N) M_{max}	13.3 lbf-in [1.5 N·m]			
	(PE) M_{max}	39.9 lbf-in [2.5 N·m]			
Conductor Cross Section (max)	(L,N)	5 AWG (Solid, Stranded) / 7 AWG (Flexible)			
		16mm ² (Solid, Stranded) / 10mm ² (Flexible)			
Conductor Cross Section (max)	(PE)	2 AWG (Solid, Stranded) / 4 AWG (Flexible)			
		35mm ² (Solid, Stranded) / 25mm ² (Flexible)			
Mounting		35mm DIN Rail, EN 60715			
Degree of Protection		IP20(built-in)			
Housing Material		Thermoplastic: Extinguishing Degree UL 94 V-0			
Thermal Protection		Yes			
Operating State / Fault Indication		Green: ok / Red: failure			
Remote Contacts (RC)		Optional			
RC Switching Capacity		AC:250V / 0.5A; DC:250V / 0.1A; 125V / 0.2A; 75V / 0.5A			
RC Conductor Cross Section (max)		16AWG (Solid) / 1.5mm ² (Solid)			

AC Surge Protection Device

EAP SERIES AC SPD T2 I_{max}:40kA

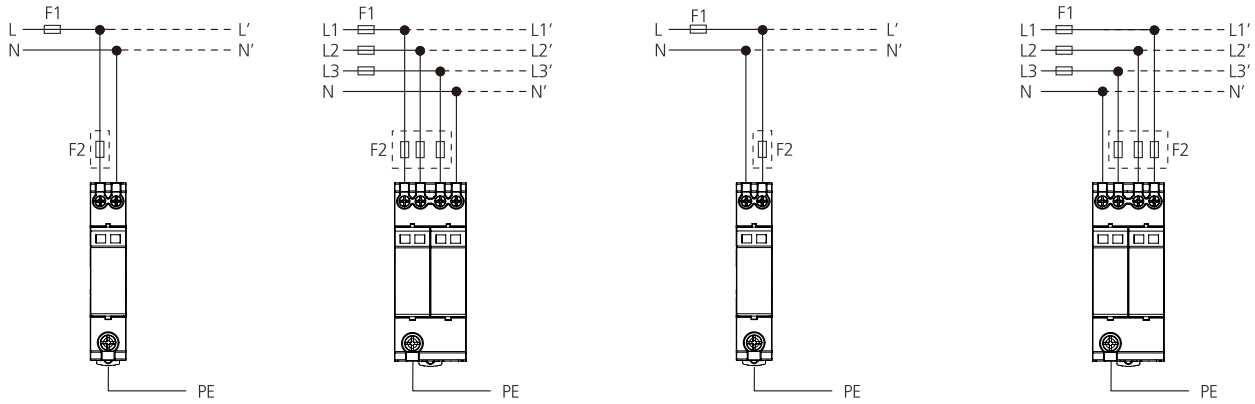
Technical Data



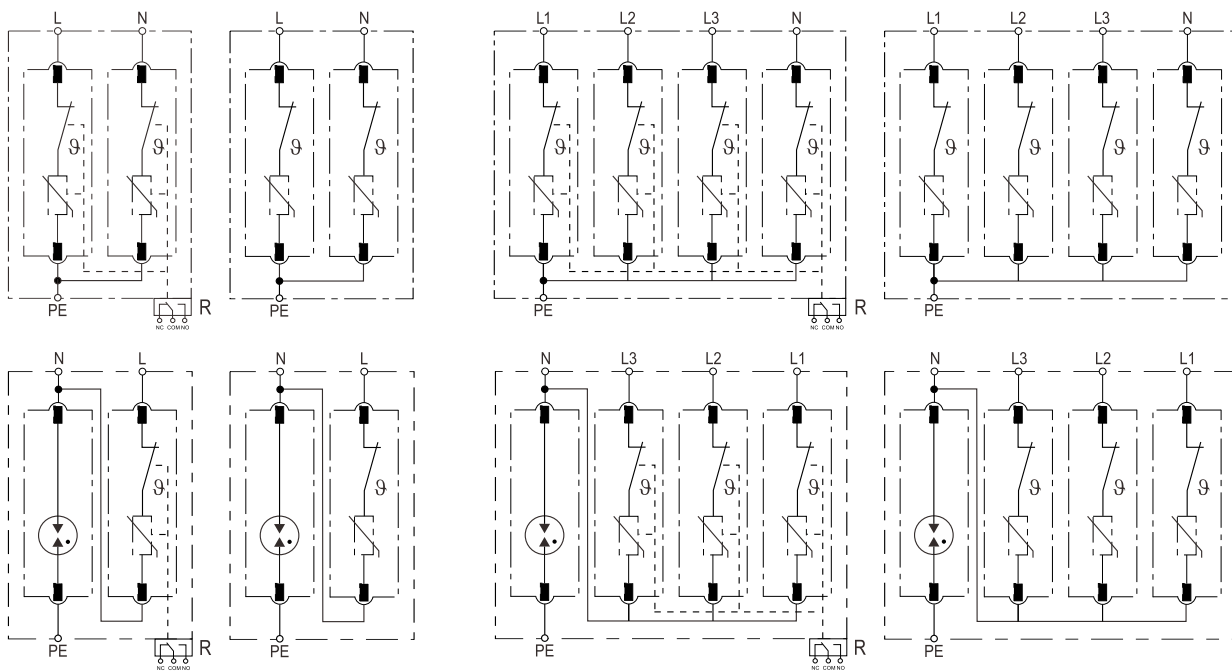
Product model					
IEC Electrical					
Nominal AC Voltage (50/60Hz)	U _o /U _n	230V			
Maximum Continuous Operating Voltage (AC)	U _c	275V/255V	320V/255V	385V/255V	420V/255V
Nominal Discharge Current (8/20 μs)	I _n	20kA/20kA	20kA/20kA	20kA/20kA	20kA/20kA
Maximum Discharge Current (8/20 μs)	I _{max}	40kA/40kA	40kA/40kA	40kA/40kA	40kA/40kA
Voltage Protection Level	U _p	< 1400V / 1400V	< 1400V / 1400V	< 1800V / 1400V	< 2000V/1400V
Response Time	t _A	< 25ns / 100ns			
Back-Up Fuse (max)		125A gL / gG			
Short-Circuit Current Rating (AC)	I _{SCCR}	25kA / 50kA			
TOV Withstand 5s	U _T	335V	335V	403V	560V
	U _T	440V	440V	529V	750V
TOV 120min	Mode	Safe Fail	Safe Fail	Safe Fail	Safe Fail
Number of Ports		1			
Mechanical & Environmental					
Operating Temperature Range	T _a	-40°F to +185°F [-40°C to +85°C]			
Permissible Operating Humidity	RH	5%...95%			
Atmospheric pressure and altitude		80k Pa ... 106k Pa / -500m ... 2000m			
Terminal Screw Torque	(L,N)M _{max}	13.3 lbf-in [1.5 N·m]			
	(PE)M _{max}	39.9 lbf-in [2.5 N·m]			
Conductor Cross Section (max)	(L,N)	5 AWG (Solid, Stranded) / 7 AWG (Flexible) 16mm ² (Solid, Stranded) / 10mm ² (Flexible)			
	(PE)	2 AWG (Solid, Stranded) / 4 AWG (Flexible) 35mm ² (Solid, Stranded) / 25mm ² (Flexible)			
Mounting		35mm DIN Rail, EN 60715			
Degree of Protection		IP20(built-in)			
Housing Material		Thermoplastic: Extinguishing Degree UL 94 V-0			
Thermal Protection		Yes			
Operating State / Fault Indication		Green: ok / Red: failure			
Remote Contacts (RC)		Optional			
RC Switching Capacity		AC:250V / 0.5A; DC:250V / 0.1A; 125V / 0.2A; 75V / 0.5A			
RC Conductor Cross Section (max)		16AWG (Solid) / 1.5mm ² (Solid)			

EAP SERIES AC SPD T2 I_{max}:40kA

Wiring Method



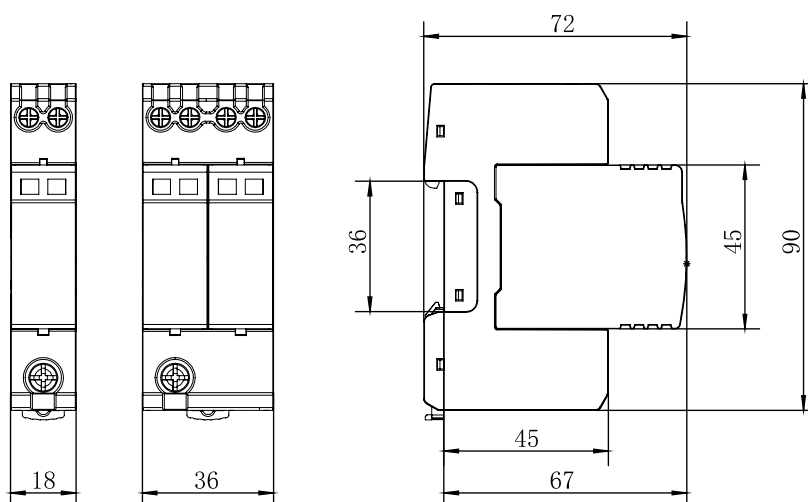
Schematic Diagram



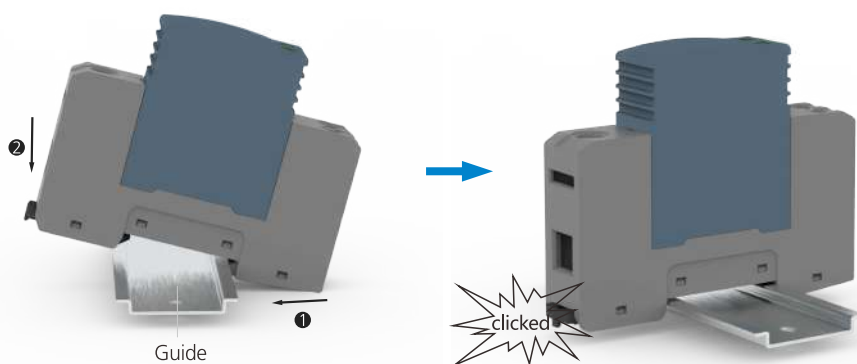
AC Surge Protection Device

EAP SERIES AC SPD T2 I_{max}:40kA

Dimensions(mm)



Installation



Disassemble

